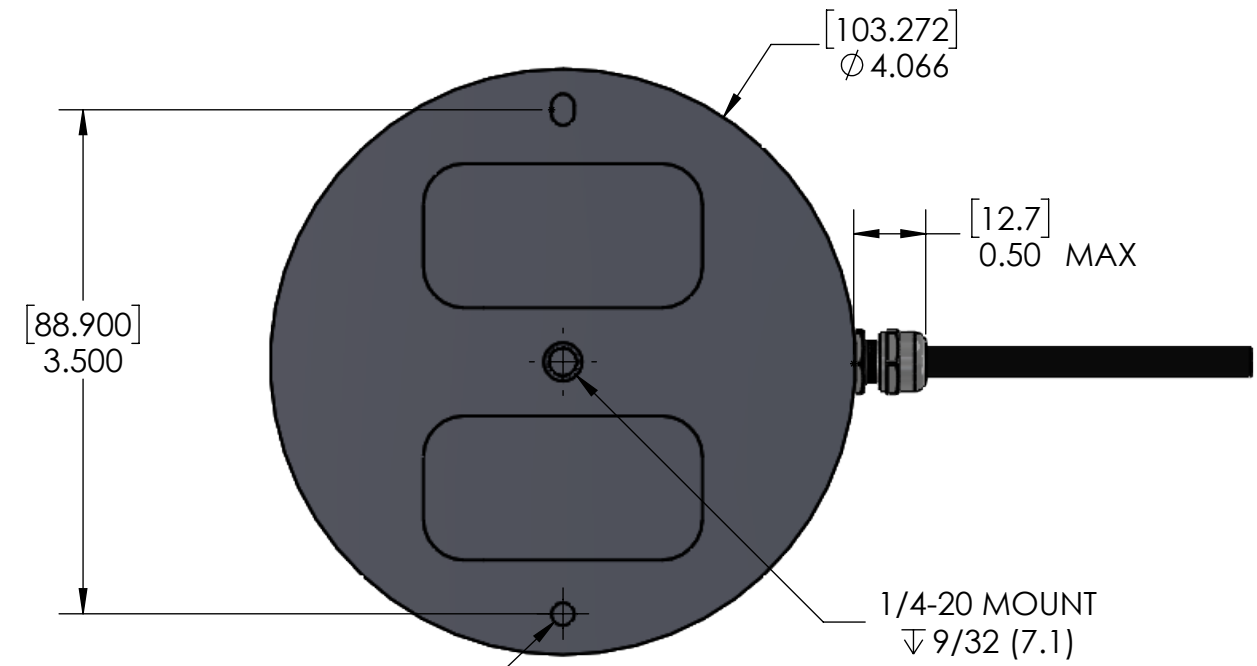
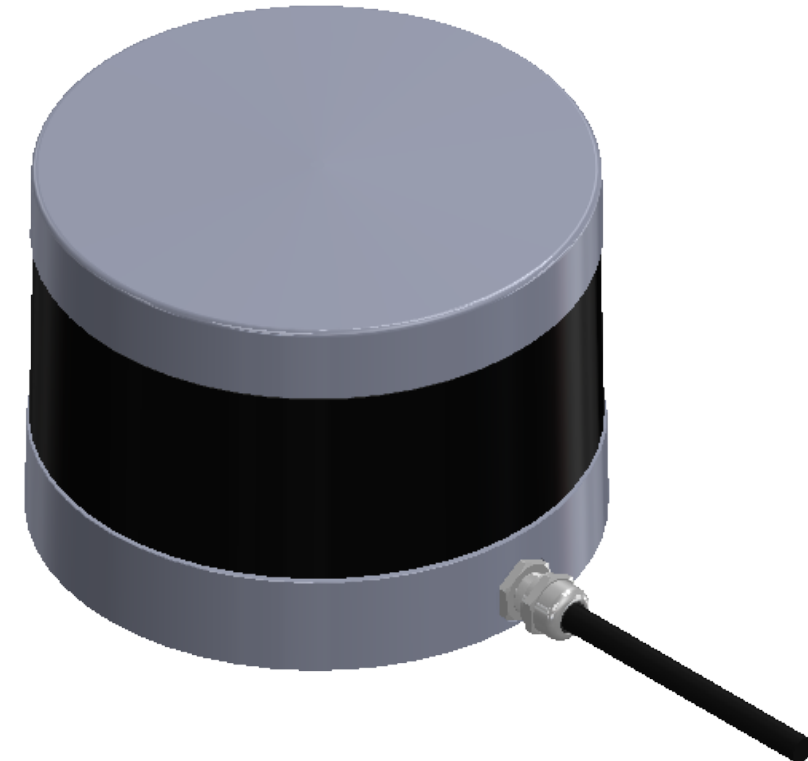
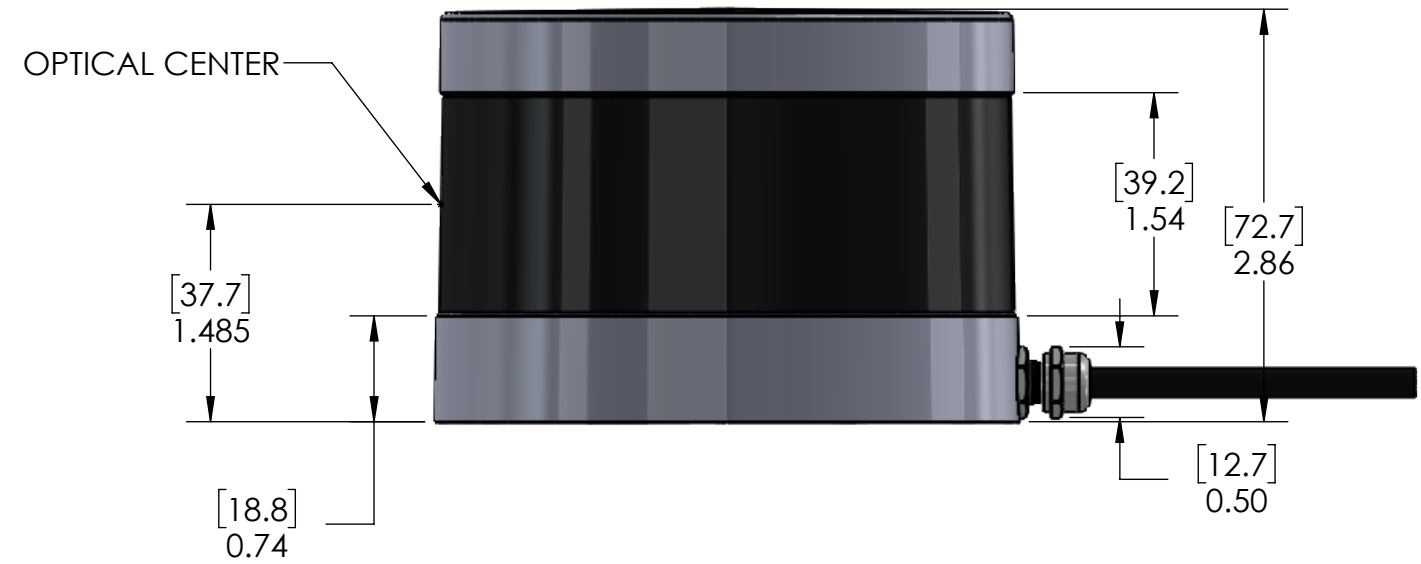


THE INFORMATION CONTAINED IN THIS DRAWING IS THE SOLE PROPERTY OF VELODYNE LIDAR, INC., ANY REPRODUCTION IN PART OR WHOLE WITHOUT THE WRITTEN PERMISSION OF VELODYNE LIDAR, INC., IS PROHIBITED.

REVISIONS HISTORY				
ECN	REV	DESCRIPTION	APPROVAL	DATE
1500	A	RELEASE TO PRODUCTION	CR	6/30/16

- NOTES:
 1. ALL DIMENSIONS ARE IN DECIMAL INCHES AND [MILLIMETERS].
 2. ALL DIMENSIONS FOR REFERENCE ONLY



2X Ø0.16 FEATURES FOR 5/32 PINS ∇ 7/32 [5.5]

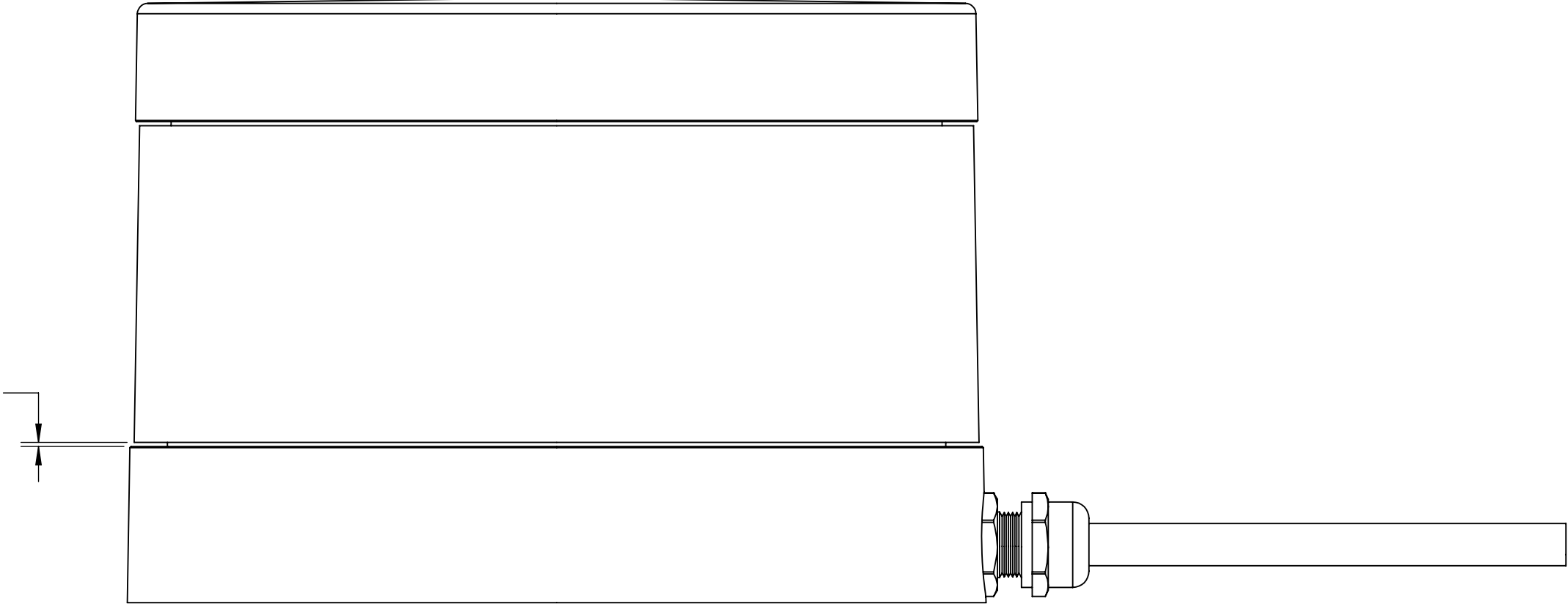
UNLESS OTHERWISE SPECIFIED DIMENSIONS ARE IN DECIMAL INCHES AND [METRIC].		SOLIDWORKS GENERATED DRAWING. DO NOT MANUALLY UPDATE		Velodyne LiDAR, Inc.	
TOLERANCES ARE:		APPROVALS		TITLE	
DECIMALS	ANGLES	DWN	DATE	ENVELOPE, HI RES VLP-16	
.xx ± .01 [0.25]	± N/A	C.R.	6/30/16	SIZE DWG. NO. 86-0129	
.xxx ± .005 [0.127]		CHKD		REV. A	
MATERIAL		QC		SCALE: 3:4 SHEET 1 of 4	
FINISH		ENG			
DO NOT SCALE DRAWING					

THE INFORMATION CONTAINED IN THIS DRAWING IS THE SOLE PROPERTY OF VELODYNE LIDAR, INC., ANY REPRODUCTION IN PART OR WHOLE WITHOUT THE WRITTEN PERMISSION OF VELODYNE LIDAR, INC., IS PROHIBITED.

REVISIONS HISTORY				
ECN	REV	DESCRIPTION	APPROVAL	DATE
		SEE SHEET 1		

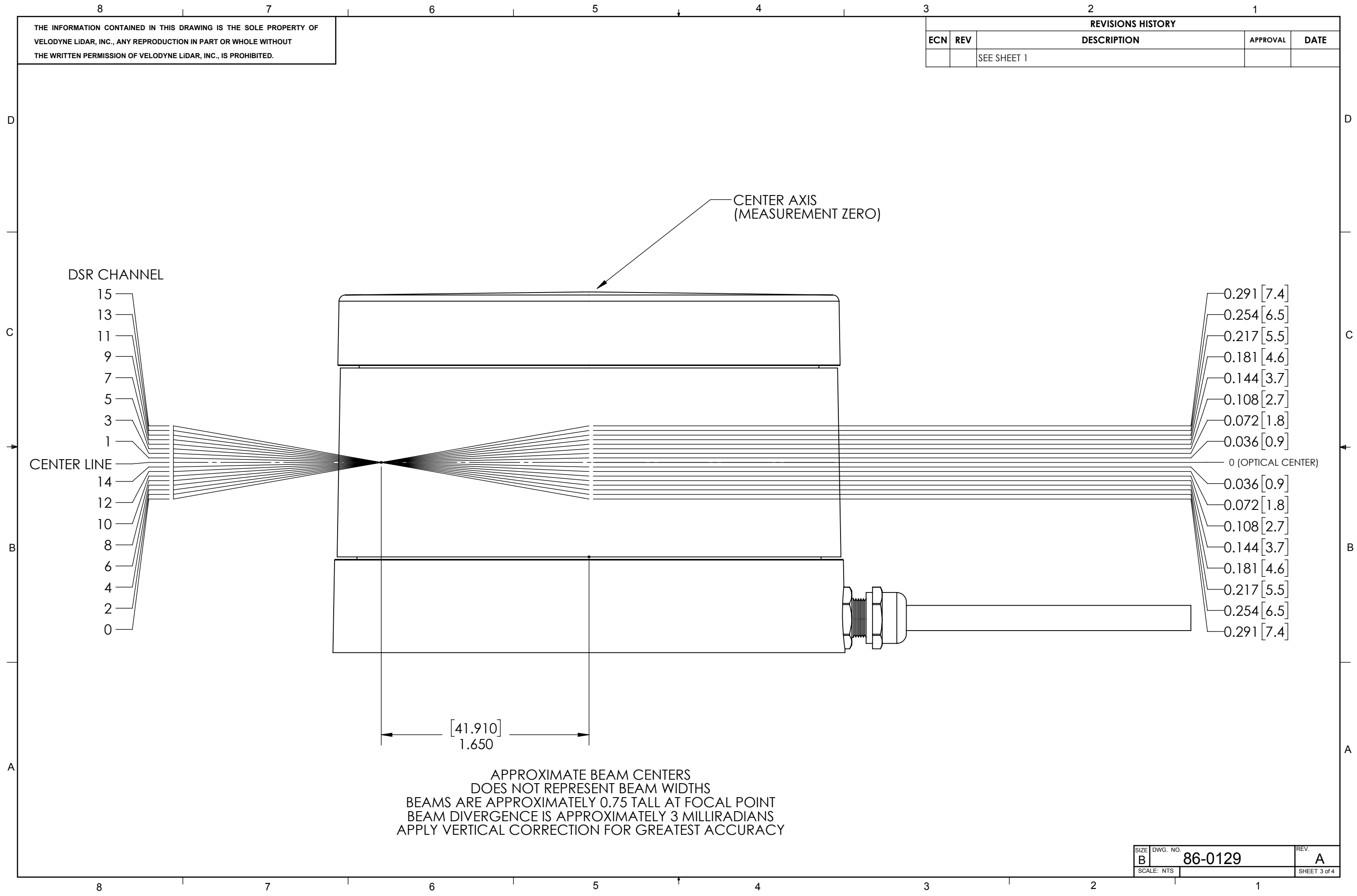
WIDOW INSTALLED MIDWAY BETWEEN LID AND SPINDLE

[0.500]
0.020 TYP



THE INFORMATION CONTAINED IN THIS DRAWING IS THE SOLE PROPERTY OF VELODYNE LIDAR, INC., ANY REPRODUCTION IN PART OR WHOLE WITHOUT THE WRITTEN PERMISSION OF VELODYNE LIDAR, INC., IS PROHIBITED.

REVISIONS HISTORY				
ECN	REV	DESCRIPTION	APPROVAL	DATE
		SEE SHEET 1		

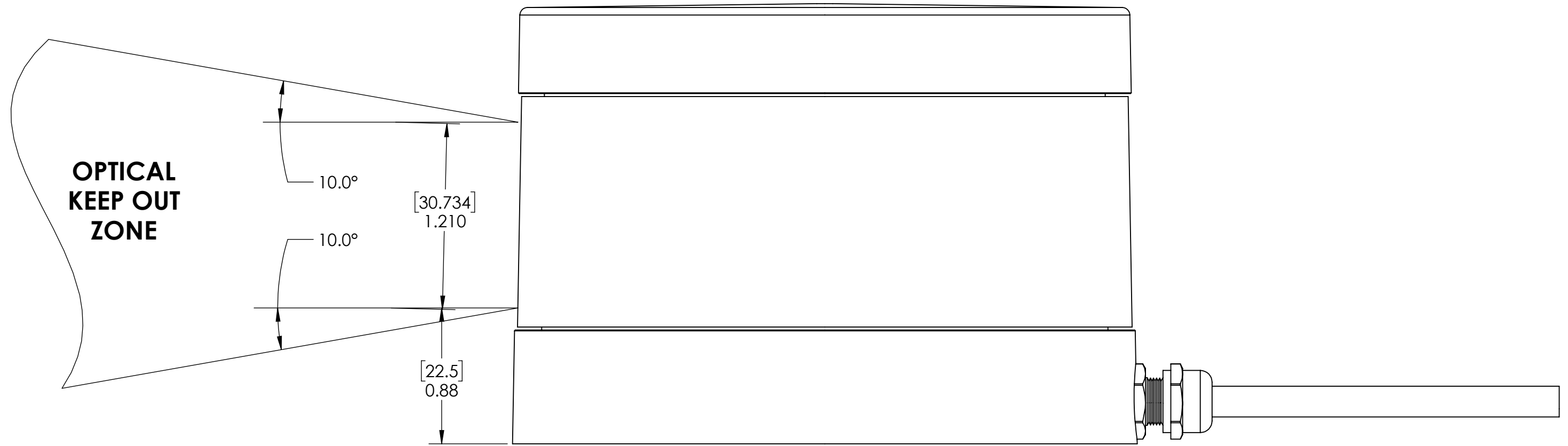


APPROXIMATE BEAM CENTERS
 DOES NOT REPRESENT BEAM WIDTHS
 BEAMS ARE APPROXIMATELY 0.75 TALL AT FOCAL POINT
 BEAM DIVERGENCE IS APPROXIMATELY 3 MILLIRADIANS
 APPLY VERTICAL CORRECTION FOR GREATEST ACCURACY

SIZE	DWG. NO.	REV.
B	86-0129	A
SCALE: NTS	SHEET 3 of 4	

THE INFORMATION CONTAINED IN THIS DRAWING IS THE SOLE PROPERTY OF VELODYNE LIDAR, INC., ANY REPRODUCTION IN PART OR WHOLE WITHOUT THE WRITTEN PERMISSION OF VELODYNE LIDAR, INC., IS PROHIBITED.

REVISIONS HISTORY				
ECN	REV	DESCRIPTION	APPROVAL	DATE
		SEE SHEET 1		



SIZE	DWG. NO.	REV.
B	86-0129	A
SCALE: NTS	SHEET 4 of 4	